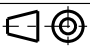
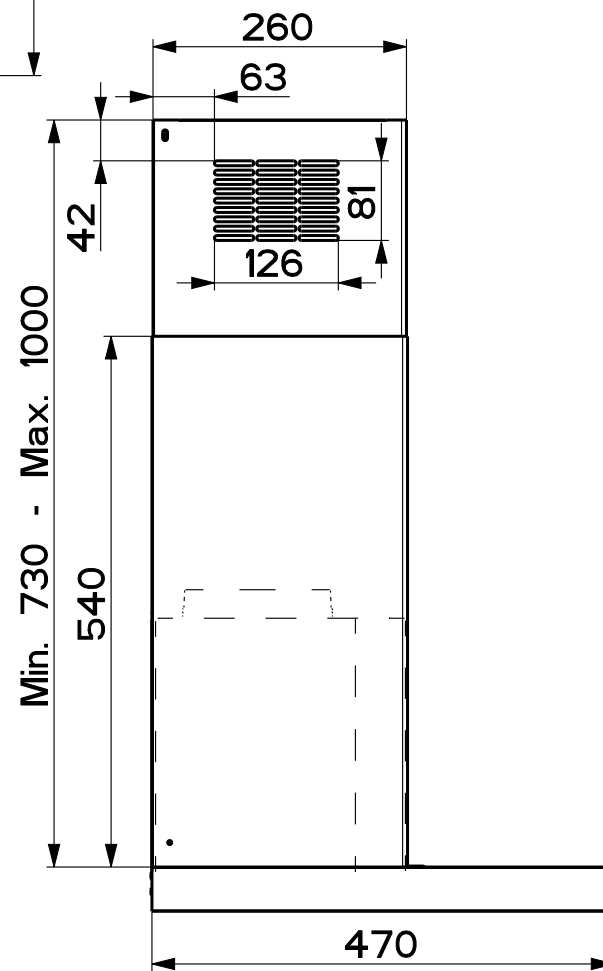
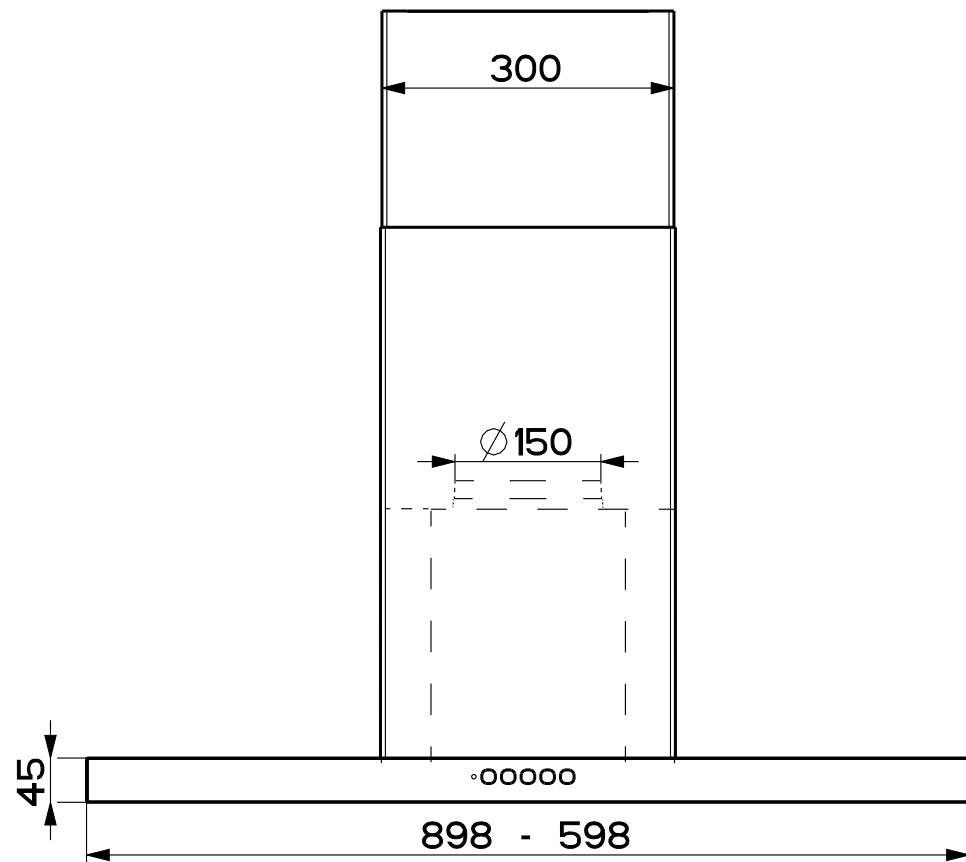
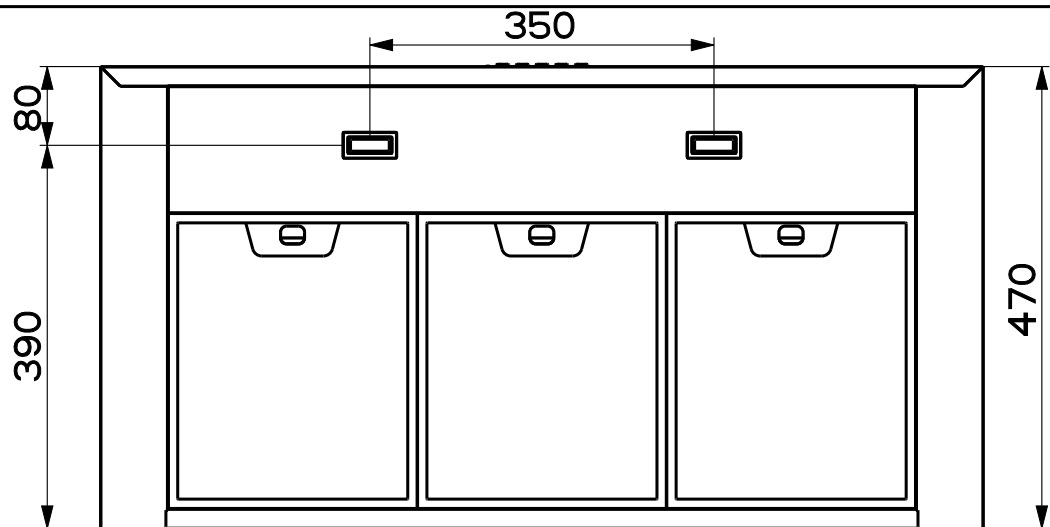



| | |
|--|------------------|
| Created by Solutions | |
| Denomination BELLA SQRCL S2000 H45 DIM DRAW | |
| Lang EN  | Sheet 1/2 |
| Modif.by | |
| Approved by Romani, Fabio | |
| Approval date 08-Sep-2020 | |
| Doc. status Released | |
| Drawing N. AQ8_861 | Rev 01 |



| | |
|--|------------------|
| Created by Solutions | |
| Denomination BELLA SQRCL S2000 H45 DIM DRAW | |
| Lang EN  | Sheet 2/2 |
| Modif.by | |
| Approved by Romani, Fabio | |
| Approval date 08-Sep-2020 | |
| Doc. status Released | |
| Drawing N. AQ8_861 | Rev 01 |