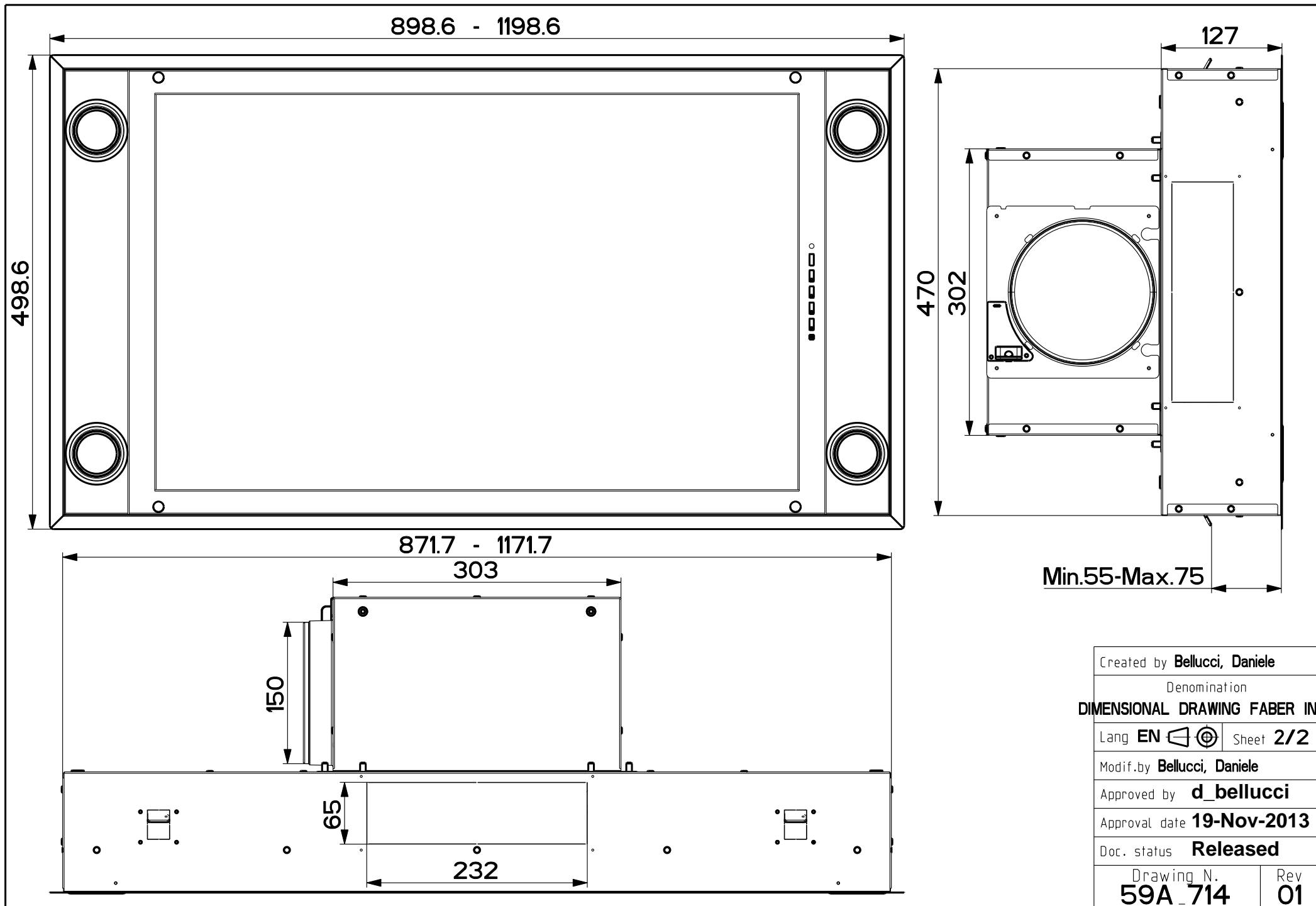


Created by Bellucci, Daniele	
Denomination DIMENSIONAL DRAWING FABER INOX	
Lang EN	Sheet 1/2
Modif.by Bellucci, Daniele	
Approved by d_bellucci	
Approval date 19-Nov-2013	
Doc. status Released	
Drawing N. 59A_714	Rev 01



Created by Bellucci, Daniele	
Denomination	
DIMENSIONAL DRAWING FABER INOX	
Lang EN	Sheet 2/2
Modif. by Bellucci, Daniele	
Approved by d_bellucci	
Approval date 19-Nov-2013	
Doc. status Released	
Drawing N. 59A_714	Rev 01