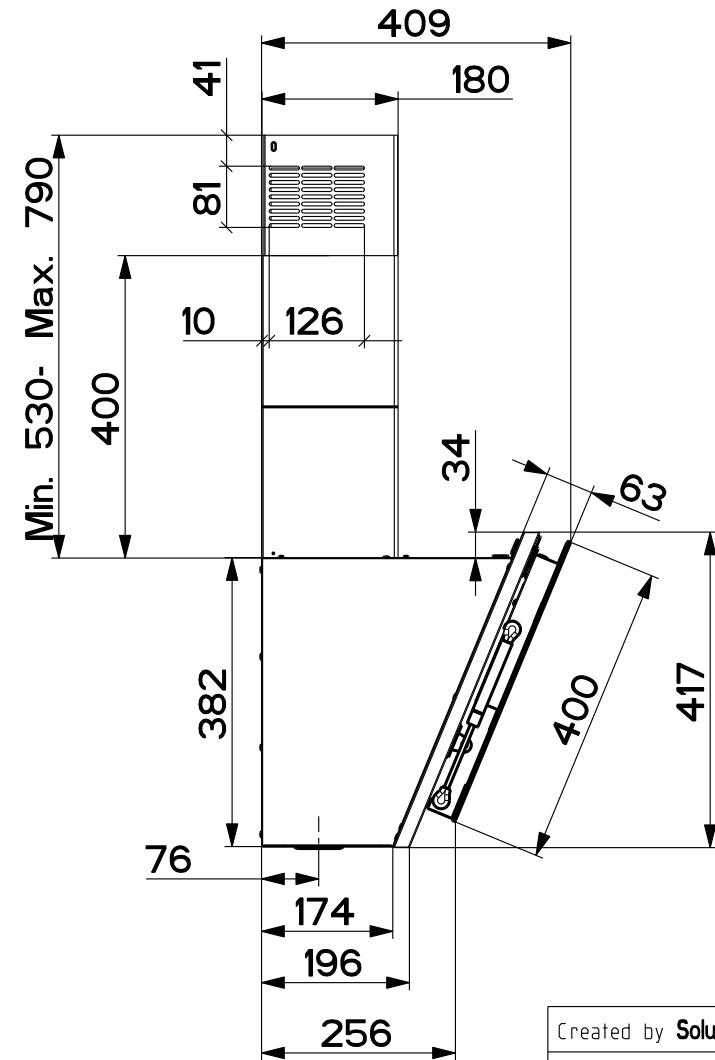
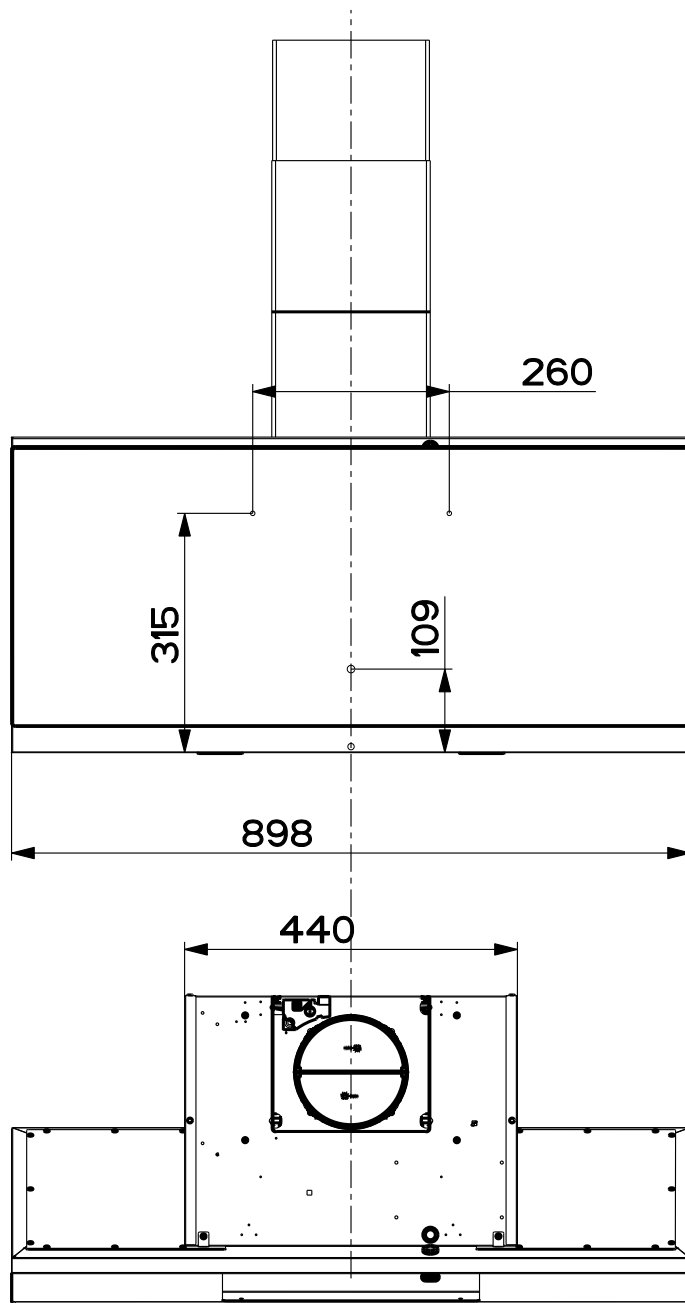


| | |
|--|------------------|
| Created by Solutions | |
| Denomination DIMENS.DRAW. JOLLY TOUCH 8T WITH CHIMNEY | |
| Lang EN | Sheet 1/2 |
| Modif.by | |
| Approved by Romani, Fabio | |
| Approval date 27-Apr-2016 | |
| Doc. status Released | |
| Drawing N. 47A_910 | Rev 01 |



| | |
|---|------------------|
| Created by Solutions | |
| Denomination DIMENS.DRAW. JOLLY TOUCH 8T WITH CHIMNEY | |
| Lang EN | Sheet 2/2 |
| Modif.by | |
| Approved by Romani, Fabio | |
| Approval date 27-Apr-2016 | |
| Doc. status Released | |
| Drawing N. 47A_910 | Rev 01 |