
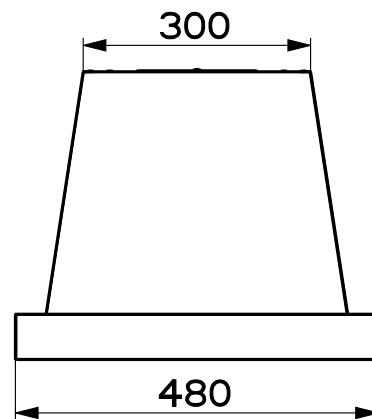
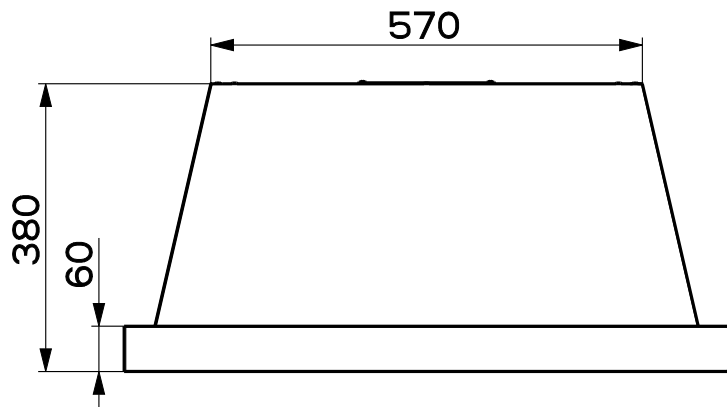
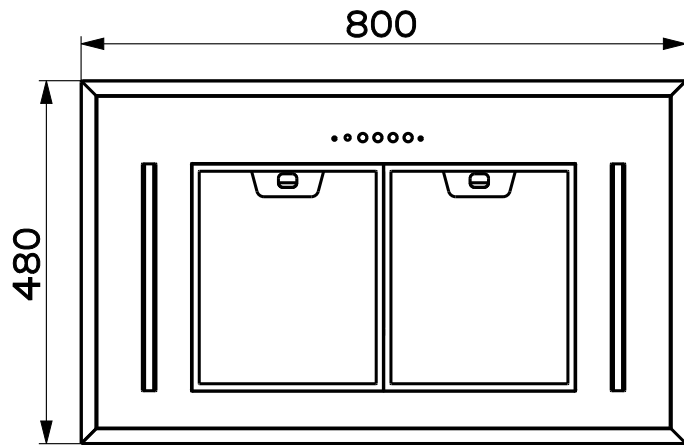


Created by Bellucci, Daniele	
Denomination DIMENSIONAL DRAWING LED BAR SLIM	
Lang EN 	Sheet 1/2
Modif.by Bellucci, Daniele	
Approved by Bellucci, Daniele	
Approval date 01-Oct-2021	
Doc. status Released	
Drawing N. 321016_720	Rev 01



Created by **Bellucci, Daniele**

Denomination
DIMENSIONAL DRAWING LED BAR SLIM

Lang **EN** Sheet **2/2**

Modif.by **Bellucci, Daniele**

Approved by **Bellucci, Daniele**

Approval date **01-Oct-2021**

Doc. status **Released**

Drawing N. 321016_720	Rev 01
---------------------------------	------------------